

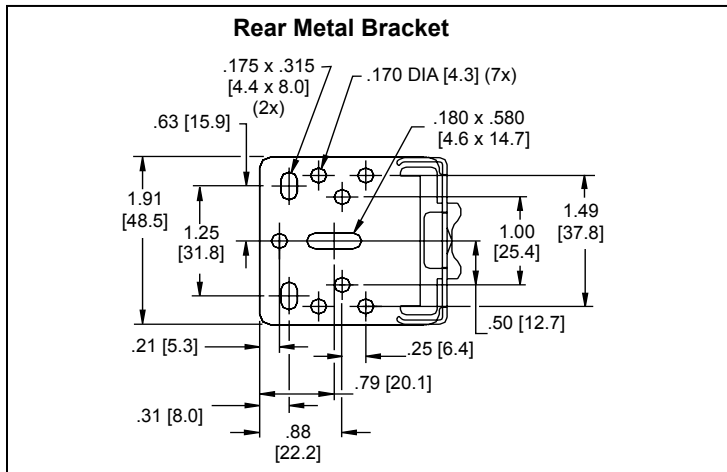
**APPLICATIONS:** Rear bracket for face frame mounting.\* Rear bracket has a 2" (50.8) adjustment range. No tools needed. **This product covered by U.S. (5,904,412) and various foreign patents issued and/or pending.**

**Part Number 4180-0752-XE**  
For Use With Slide Models 3832EDO, 3832EHDSC, 3832ESC, 3832E, 3834ESC, 3834EC

**Part Number 4180-0758-XE**  
For Use With Slide Models 3832ETR, 3832EHDTR

## Installation Instructions

See specific technical sheet for individual slide details.



### Brackets Attachment

First, separate slide members by actuating the disconnect lever. Brackets are attached to cabinet (large) member.

### Rear Bracket

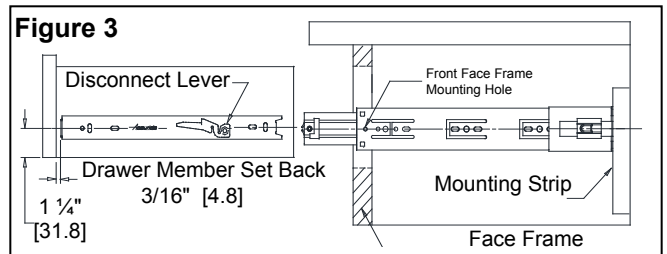
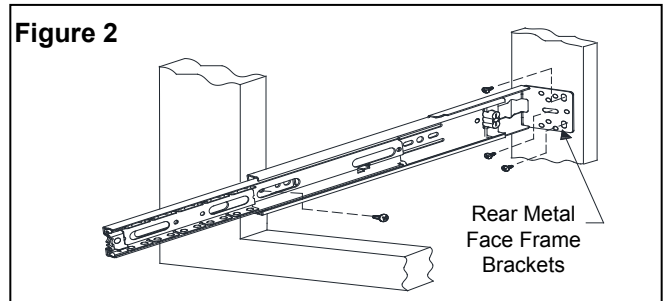
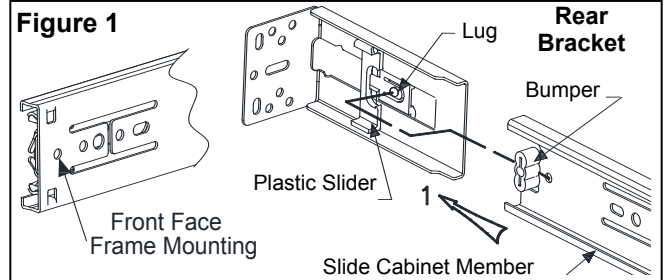
1. Push rear bracket onto the slide. Ensure locking lug on plastic slider engages the mating hole in the slide member and the bumper on the slide seats into the plastic slider on the bracket. See Figure 1. (Ref. model 3832CDO 3832C, 3834C only.)

### Mount Slide to Cabinet

1. Secure a 3/4" x 2" vertical mounting strip to the rear wall or cabinet back for each slide.
2. Mount slide to cabinet by inserting a screw through the front face frame mounting hole located on the cabinet member (Figure 1).
3. Extend the rear bracket until it contacts the rear vertical mounting strip. **NOTE: Maximum adjustment range is 2" from the back of the cabinet to the rear of the side.** Check that both cabinet members are vertically and horizontally parallel. Mount the rear bracket using the two vertical slots. Make any necessary adjustment. See Figure 2.
4. Secure the rear bracket with a screw in round hole. Tighten the original screw. See Figure 2.

### Mount Slide to Drawer

1. Install drawer member through vertical slots.
2. Insert drawer member making sure ball bearing retainers are fully forward. Close drawer completely.
3. Adjust vertical position and install 2 more screws in round holes after free movement is achieved. See Figure 3.



## Ordering/Packaging Information

Rear bracket for face frame installation can be ordered as kit or bulk. Brackets are available in clear zinc finish only. Mounting screws are not included.

For rear brackets for models 3832EDO, 3832EHDSC, 3832ESC, 3832E, 3834E, order the kit, 4180-0752-XE. Each kit contains: 2 rear brackets and installation instructions. Order one kit per pair of slides. Brackets are packaged 50 per box.

To order in bulk, specify part number 4080-0508-CE. Order two rear brackets per pair of slides. Brackets are packaged 100 per box.

For models 3832ETR, and 3832EHDTR order 4180-0758-XE for a kit and 4080-0649-CE for bulk.

## Specifications

Cold rolled steel  
RoHs compliant

**NOTE:** Specifications, materials, prices, terms, and delivery are subject to change without notice